

# Architectural Steel And Stainless Steel Barrel Type Continuous Hinges

## Half Mortise with Half-Wrap Edge Guard

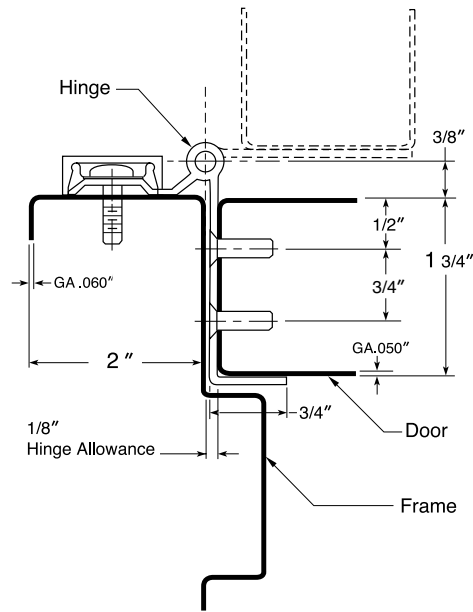
645 – (ANSI A82011B & A82022B) – Standard duty steel

655 – (ANSI A52011B & A52022B) – Standard duty stainless steel



- BHMA certified
- Conforms to ANSI/BHMA Standard A156.26–2006, Grade 1-300
- Supports doors up to 600 lbs.
- Distributes door weight and stress along the full length of door and frame
- No misaligned pivot points of individual hinges
- Ideal for retrofit applications
- Edge guard protects the inside edge of door, which is most exposed to damage when open
- Fire rated for up to and including 3 hours
- Hinge covered by a limited lifetime warranty for the life of the building
- Steel hinges are prime coated for painting. For other powder coated finishes consult factory
- Stainless steel is available in (32) highly polished, and (32D) satin finish. Consult the factory for black, white and custom powder coated finishes.
- 1/4" diameter teflon coated pin
- 6' 8", 7' and 7' 2" use 6 screw cover clips. 8' uses 8 screw cover clips. 10' 0" uses 9 screw cover clips.
- Superior bearing design inhibits dirt collection
- Two stainless steel bearings, top and bottom, prevent door sagging if Nylatron bearings degrade during a fire
- Hinges can be furnished as follows:
  - with hospital tips (HT)
  - with dutch door prep
  - custom length
  - with welded pin

Replacement covers available separately



Length	Finish	Number of 1/4 - 20 x 3/4" Self Drilling Screws Per Hinge		Number of #10 x 1/2" Self Drilling Screws Per Hinge	Number of #10 x 1" Wood Screws Per Hinge	Quantity Per Carton	Carton Weight	
		645	655				Lbs.	(Kg)
6' 8" (2032)	P	32D	13	20	20	1	16	(7.3)
7' 0" (2134)	P	32D	13	21	21	1	16	(7.3)
7' 2" (2184)	P	32D	13	21	21	1	16	(7.3)
8' 0" (2286)	P	32D	14	23	23	1	18	(8.2)
10' 0" (3048)	P	32D	17	27	27	1	22	(10)

Machine screws available separately