

**ARCHITECTURAL STEEL AND STAINLESS STEEL BARREL TYPE CONTINUOUS HINGES**



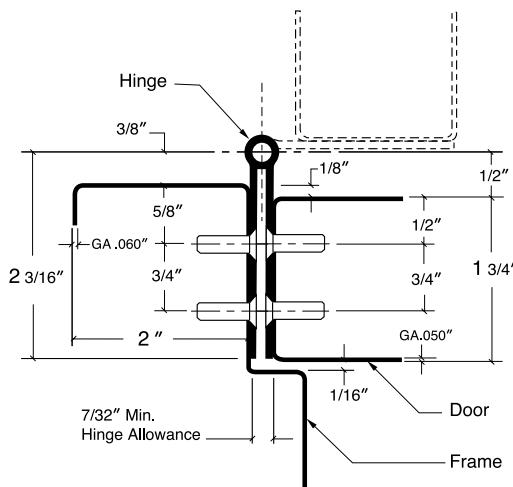
**641** – Standard duty, steel for 1/8" inset doors

**651** – Standard duty, stainless steel for 1/8" inset doors

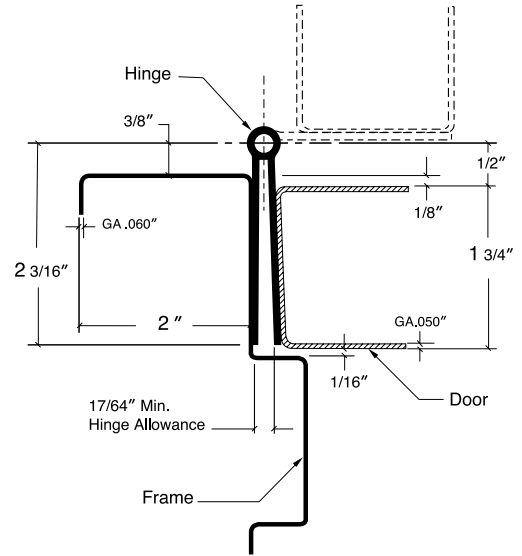
- Distributes door weight and stress along the full length of door and frame
- No misaligned pivot points of individual hinges
- Conforms to ANSI/BHMA Standard A156.26-1996, Grade 1
- LifeSpan® hinge covered by a limited lifetime warranty for the life of the building
- Fire rated for up to and including 3 hours
- Leaves attached to the edge of door and frame, revealing only the slim hinge bevel when door is closed
- Steel hinges supplied prime coated for painting. For other powder coated finishes consult factory
- Stainless steel is available in (32) highly polished, and (32D) satin finish. For special powder coated finishes consult factory
- 1/4" diameter teflon coated pins
- Superior bearing design inhibits dirt collection
- Two stainless steel bearings, top and bottom, prevent door sagging if nylon bearings degrade during a fire

Hinges can be furnished as follows:

- with hospital tips (HT)
- with dutch door prep
- with electric wires (CE)
- with electric switches (CS)
- with electric power transfer (EPT) prep
- with raised barrel (RB)
- custom length



**Square Edge Door**



**Beveled 1/8" in 2" (3.2 in 51mm) door**

Length		Finish		Number of #10 x 1/2" Self Drilling Screws Per Hinge	Number of #10 x 1" Wood Screws Per Hinge	Quantity Per Carton	Carton Weight	
Feet	(mm)	641	651				Lbs.	(KG)
6'8"	(2032)	P	32D	40	20	1	14	(6.4)
7'0"	(2134)	P	32D	42	21	1	14	(6.4)
7'2"	(2184)	P	32D	42	21	1	14	(6.4)
8'0"	(2286)	P	32D	46	23	1	16	(7.3)
10'0"	(3048)	P	32D	54	27	1	20	(9.1)

Machine screws available separately

