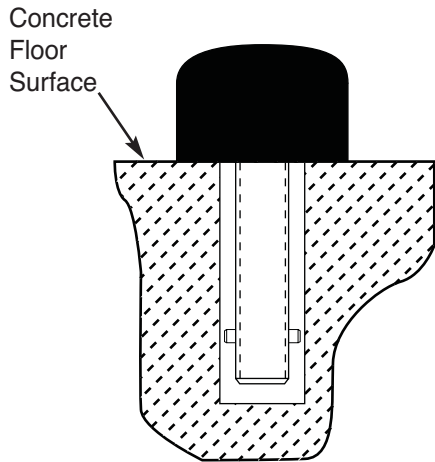


Heavy Duty Detention Floor Stops

3001 – Black neoprene floor stop

- Meets industry standard for 300 pound impact testing
- 90 Durometer
- Steel anchor post $\frac{5}{8}$ " diameter x 2 $\frac{1}{2}$ " long
- For concrete floors in security applications

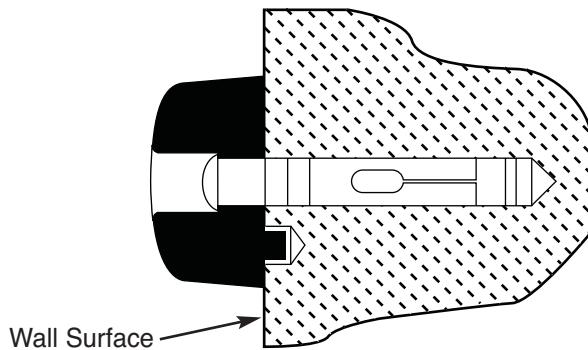


3001 EDP Number	Diameter		Height		Steel Anchor Post		Quantity Per Carton	Carton Weight	
	Inches	(mm)	Inches	(mm)	Inches	(mm)		LBS.	(Kg)
81 – 1000	2"	(51)	1 $\frac{1}{2}$ "	(38)	$\frac{5}{8}$ " x 2 $\frac{1}{2}$ "	(15.9 x 63.5)	25	15	(6.8)

Heavy Duty Wall Stops

3002– Black neoprene wall stop

- Unique designed molded ant-rotational post resists unauthorized removal of stop
- 90 Durometer
- For concrete or cinder block walls in security applications
- Convex design



3002 EDP Number	Diameter		Projection		Security Torx Fastener		Quantity Per Carton	Carton Weight	
	Inches	(mm)	Inches	(mm)	Inches	(mm)		LBS.	(Kg)
81 – 1001	2 $\frac{5}{8}$ "	(66.7)	1 $\frac{1}{4}$ "	(31.8)	$\frac{3}{8}$ " x 2 $\frac{1}{2}$ "	(9.5 x 63.5)	25	15	(6.8)