

DETENTION HARDWARE

Food Pass Cuff Port Hinges

854 – Hinge with stop – phosphated and prime coated for painting

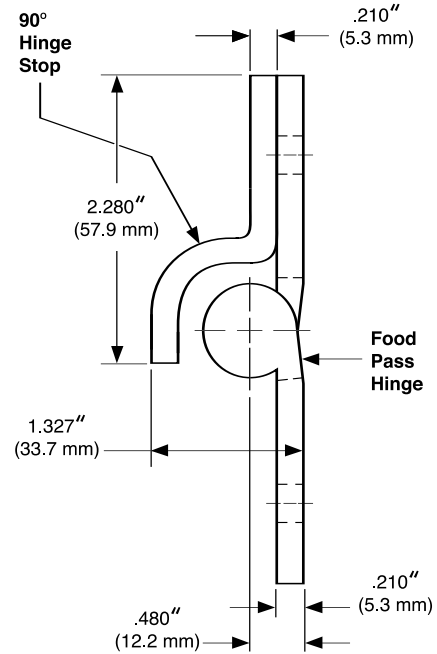
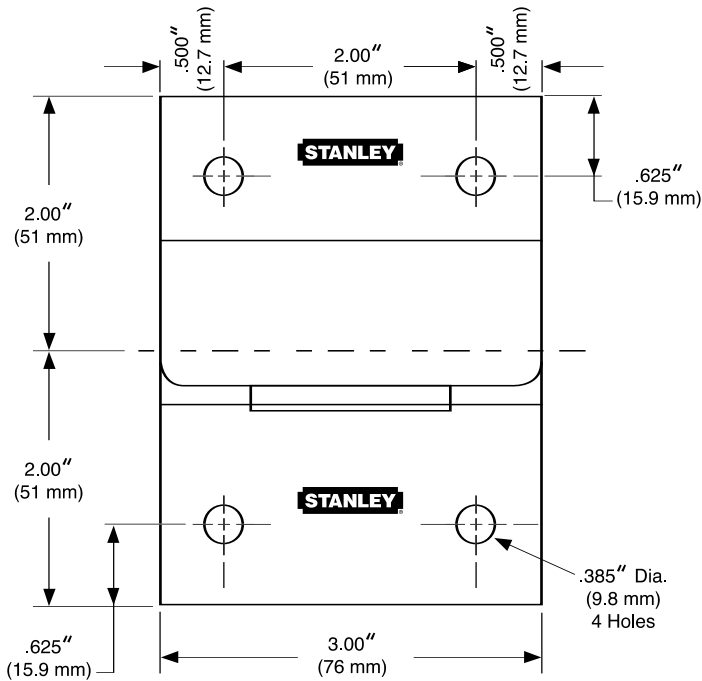
- Used on smaller doors installed into main doors to permit passage of food trays. Stop holds a small door at 90° forming a shelf
- Allow guards to apply manacles with cell doors closed
- No sharp projections
- Heavy gauge steel
- Replaces existing hinges with dangerous projecting stops
- Ends of the hinge barrels are solid, without visible pin lines



Hinge only (with or without holes)
Consult Factory



854 Hinge
With Stop



854 EDP Number	Hinge Height		Hinge Width		Gauge of Metal		Pin Diameter		Number of 16 x 3/8" Torx Button Head Bolts Per Set	Quantity Per Box	Quantity Per Carton	Carton Weight	
	Inches	(mm)	Inches	(mm)	Inches	(mm)	Inches	(mm)				LBS.	(Kg)
02-9377	3	(76)	4	(102)	.210	(5.3)	.388	(9.9)	8	1 Set	12 Sets	40	(18)

* Set consists of 2 each hinges and 2 each 90° stops