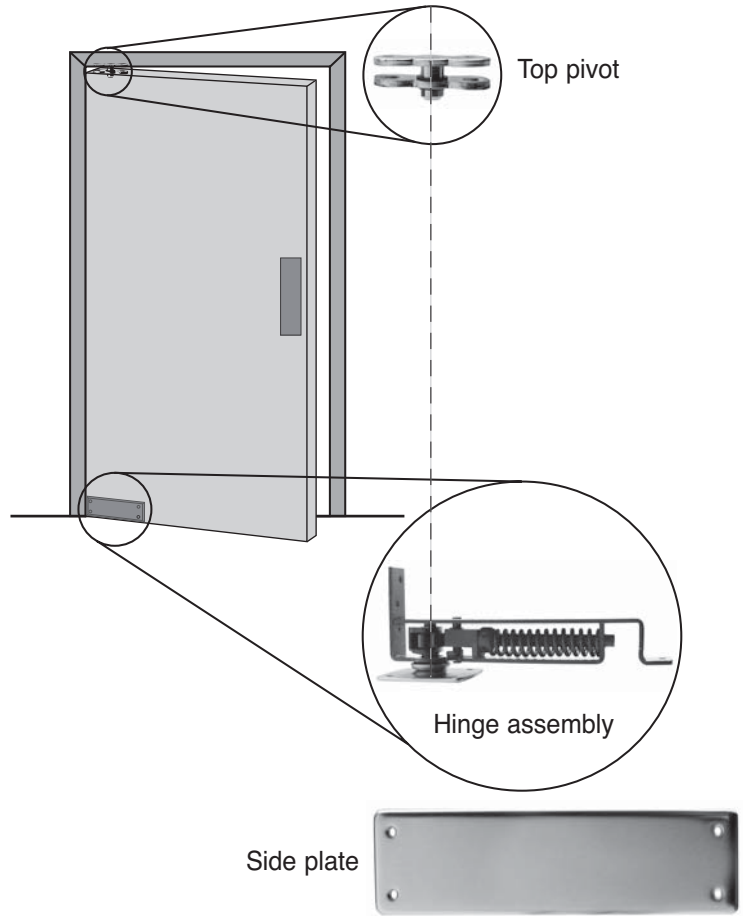
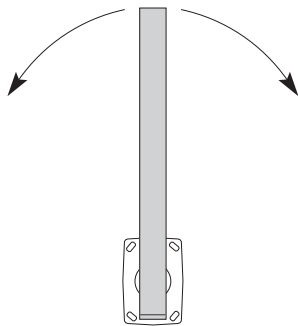


MISCELLANEOUS DOOR HARDWARE

Residential Grade Double Acting Floor Hinge

BB159 – Steel – satin brass finish (US4)

- For low frequency residential double acting wood doors 1 3/8" to 1 3/4" thick weighing up to 75 lbs.
- Holds door open at approximately a 90° angle on either side of opening
- Ball bearing located at the top of the hinge carries the weight of door and takes the thrust of spring
- Hardened steel roller, working with the cam, insures easy and noiseless operation
- Spring tension is fully adjustable
- Set consists of top pivot, horizontal floor hinge, decorative plates, fasteners, and installation instructions.



Catalog Number	US4/EDP Number	Sets Per Box	Sets Per Case	Case Weight (lbs.)
BB159	38 4310	1	10	34