

ALUMINUM CONTINUOUS GEARED HINGES

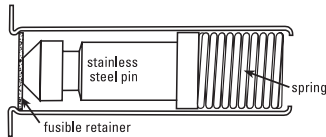


- 661 – Standard Duty for flush door and frame applications
- 661 HD – Heavy Duty for flush door and frame applications
- 662 – Standard Duty for 3/32" inset doors
- 662 HD – Heavy Duty for 3/32" inset doors

- Distributes door weight and stress along the full length of door and frame
- No misaligned pivot points of individual hinges
- Typically no additional reinforcement required
- Clear aluminum and dark bronze anodized finishes
- Standard duty and heavy duty conform to ANSI/BHMA Standard A156.26-1996, Grade 1
- LifeSpan® hinge covered by a limited lifetime warranty for the life of the building
- Engineered with polymer PTFE bearing for maximum durability
- 90-minute rating standard on all hinges. 3-hour rating available with fire pins (FP)

Hinges can be furnished as follows:

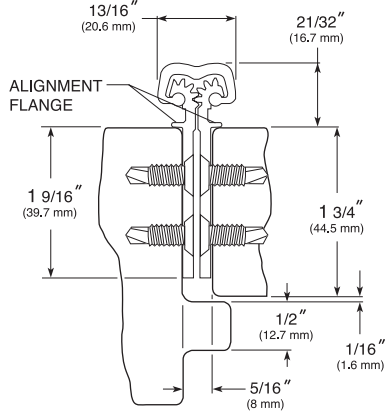
- with hospital tips (HT)
- with electric wires (CE)
- with electric switches (CS)
- with electric power transfer (EPT) prep – Specify manufacturer and model number of transfer
- with dutch door prep
- custom length



Fire Pin



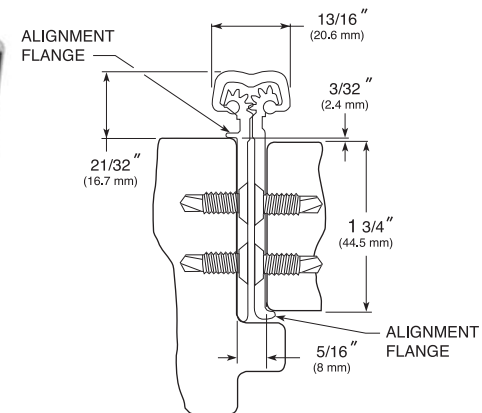
661



661/661HD Full Mortise Flush Door & Frame



662



662/662HD Full Mortise 3/32" Inset

Length		Finish	Number of #12-24 x 5/8" TEK Screws Per Hinge	Quantity Per Carton	Carton Weight	
Inches	(mm)				Lbs.	(KG)
79	(2006)	AL & DB	36	1	7	(15.4)
83	(2108)	AL & DB	36	1	7	(15.4)
95	(2413)	AL & DB	40	1	8	(17.6)
119	(3022)	AL & DB	44	1	10	(22)

Wood and Machine screws available separately

